

KALWALL®

high performance translucent building systems



photo: Bruce Damonte

SKYLIGHTS

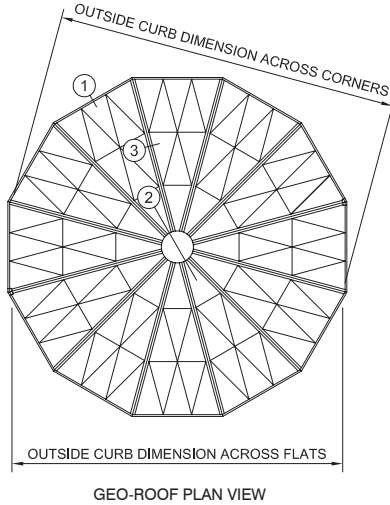
Geo-Roofs®

Pyramids

S-lines

KALWALL.COM

Geo-Roofs®



Preferred Credit, Inc. Headquarters | Saint Cloud, MN
Miller Architects & Builders, Inc.

Standard Skylights

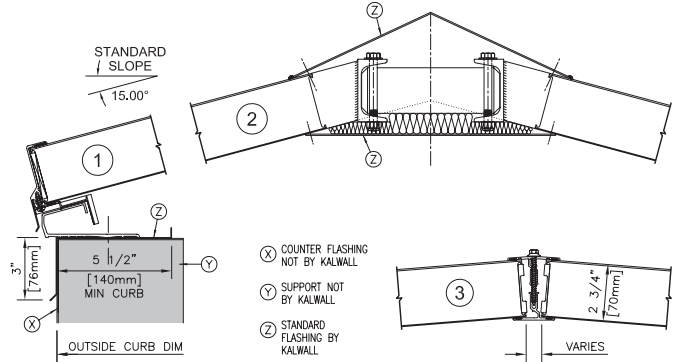
Geo-Roofs, Pyramids & S-line skylights are all available in many standard sizes to offer both value and selection. All three standard skylight configurations offer superior thermal performance while providing museum-quality daylighting™ to illuminate interiors while reducing energy consumption.

Solar Heat Gain Coefficients (SHGC) from 0.65 to 0.04

U-factors range from 0.53 to 0.05 (3.01 to 0.28 W/m²K)

Visible Light Transmission (VLT) Values from 3% to 50%

Complimentary Daylight Modeling Simulation Studies



Standard Geo-Roofs: sizes from 8' (2438 mm) to 24' (7315 mm) outside curb dimension (O.C.D.) across flats in 1' (305 mm) increments as shown above.

Standard Sizes O.C.D. Across Flats	Shipping Information	# of Sides	O.C.D. Across Corners	O.C.D. @ Each Side	Horizontal Thrust Each Curb Segment*
8'-0" (2438 mm)	factory welded	8	8'-7-15/16" (2640 mm)	3' - 3-3/4" (1010 mm)	350 lb (1557 N)
9'-0" (2743 mm)	shipped in 2 units	8	9'-8-7/8" (2969 mm)	3' - 8-3/4" (1137 mm)	440 lb (1958 N)
10'-0" (3048 mm)	shipped in 2 units	8	10'-9-7/8" (3299 mm)	4' - 1-11/16" (1262 mm)	545 lb (2425 N)
11'-0" (3353 mm)	shipped in 2 units	8	11'-10-7/8" (3629 mm)	4' - 6-11/16" (1389 mm)	660 lb (2936 N)
12'-0" (3658 mm)	shipped in 2 units	8	12'-11-7/8" (3959 mm)	4' - 11-5/8" (1515 mm)	780 lb (3470 N)
13'-0" (3962 mm)	shipped in 2 units	10	13'-8" (4166 mm)	4' - 2-11/16" (1287 mm)	720 lb (3203 N)
14'-0" (4267mm)	shipped in 2 units	10	14'-8-5/8" (4486 mm)	4' - 6-9/16" (1386 mm)	835 lb (3714 N)
15'-0" (4572 mm)	shipped in 2 units	10	15'-9-1/4" (4807 mm)	4' - 10-1/2" (1486 mm)	960 lb (4270 N)
16'-0" (4877 mm)	shipped in 2 units	12	16'-6-3/4" (5048 mm)	4' - 3-7/16" (1307 mm)	900 lb (4003 N)
17'-0" (5182 mm)	shipped in 12 units	12	17'-7-3/16" (5364 mm)	4' - 6-11/16" (1389 mm)	1015 lb (4515 N)
18'-0" (5486 mm)	shipped in 12 units	12	18'-7-5/8" (5680 mm)	4' - 9-7/8" (1470 mm)	1140 lb (5071 N)
19'-0" (5791 mm)	shipped in 14 units	14	19'-5-7/8" (5940mm)	4' - 4-1/16" (1322 mm)	1080 lb (4804 N)
(A) 20'-0" (6096 mm)	shipped in 14 units	14	20'-6-3/16" (6253 mm)	4' - 6-3/4" (1391 mm)	1055 lb (4693 N)
(B) 21'-0" (6401 mm)	shipped in 14 units	14	21'-6-1/2" (6566 mm)	4' - 9-1/2" (1461 mm)	1005 lb (4471 N)
(C) 22'-0" (6706 mm)	shipped in 14 units	14	22'-6-13/16" (6879 mm)	5' - 0-1/4" (1530 mm)	930 lb (4137 N)
(C) 23'-0" (7010 mm)	shipped in 16 units	16	23'-5-7/16" (7149 mm)	4' - 6-7/8" (1394 mm)	885 lb (3937 N)
(D) 24'-0" (7315 mm)	shipped in 16 units	16	24'-5-5/8" (7458 mm)	4' - 9-5/16" (1456 mm)	790 lb (3514 N)

Span designed for 25 PSF (1197 Pa) Wind Load and 40 PSF (1915 Pa) Snow Load, except as noted: (A) = 35 PSF (1676 Pa) Snow Load; (B) = 30 PSF (1436 Pa) Snow Load; (C) = 25 PSF (1197 Pa) Snow Load; (D) = 20 PSF (958 Pa) Snow Load. Kalwall+Lumira® aerogel and Kalwall100 are not available in Geo-Roof configurations.

*Thrust loads on each side of curb must be provided for by others. Geo grid pattern standard. Standard Geo-Roofs have a 15° slope on all sides.

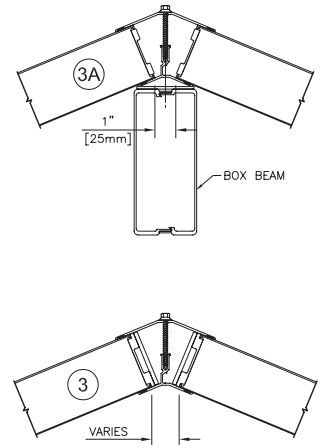
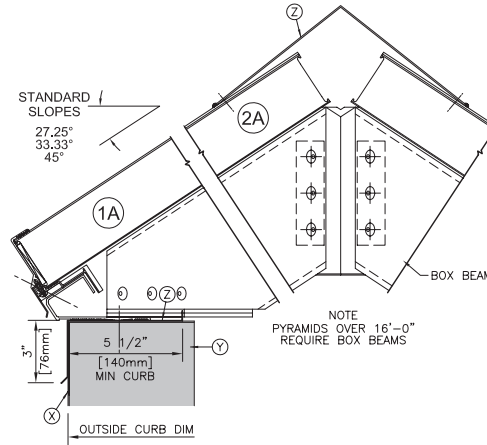
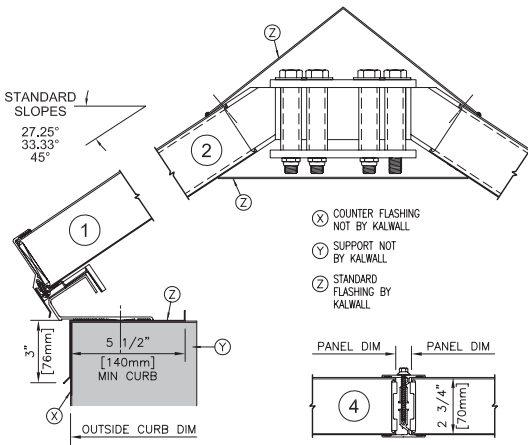
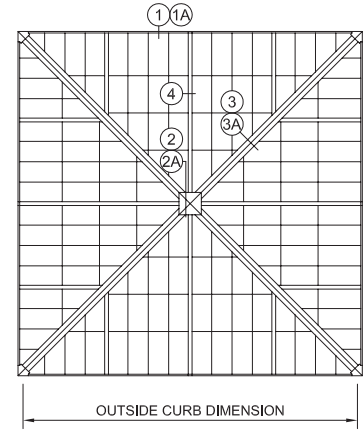


photo: Liam Frederick

Paradise Valley Community College | Phoenix, AZ

Smith Group JJR

Pyramids



Standard Pyramids: sizes from 4' x 4' (1220 mm x 1220 mm) to 20' x 20' (6096 mm x 6096 mm) outside curb dimension (O.C.D.) in 1' (305 mm) increments

Standard Sizes O.C.D.	Factory Pre-Assembled	Field Assembly Required	Exposed Box Beams	# of Panels per Side	Maximum Horizontal Thrust Load per Side*
4'-0" (1220 mm)	Yes	No	No	1	100 lb (445 N)
5'-0" (1524 mm)	Yes	No	No	1	160 lb (712 N)
6'-0" (1829 mm)	Yes	No	No	1	225 lb (1001 N)
7'-0" (2134 mm)	Yes	No	No	1	310 lb (1379 N)
8'-0" (2438 mm)	Yes	No	No	1-2***	400 lb (1779 N)
9'-0" (2743 mm)	No	Yes	No	2	510 lb (2269 N)
10'-0" (3048mm)	No	Yes	No	2	625 lb (2780 N)
11'-0" (3353 mm)	No	Yes	No	2	760 lb (3381 N)
12'-0" (3658 mm)	No	Yes	No	2	900 lb (4003 N)
13'-0" (3962 mm)	No	Yes	No	2-4***	1060 lb (4715 N)
14'-0" (4267 mm)	No	Yes	No	4	1225 lb (5449 N)
15'-0" (4572 mm)	No	Yes	**	4	1410 lb (6272 N)
16'-0" (4877 mm)	No	Yes	**	4	1600 lb (7117 N)
17'-0" (5182 mm)	No	Yes	Yes	4	1810 lb (8051 N)
18'-0" (5486 mm)	No	Yes	Yes	4	2025 lb (9008 N)
19'-0" (5791 mm)	No	Yes	Yes	4	2260 lb (10053 N)
20'-0" (6096 mm)	No	Yes	Yes	4	2500 lb (11121 N)

Span designed for 25 PSF (1197 Pa) Wind Load and 40 PSF (1915 Pa) Snow Load.

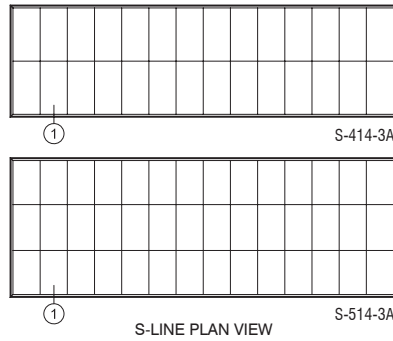
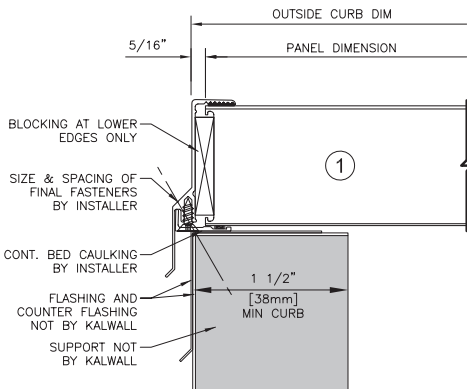
*Thrust Loads on each side of curb must be provided for by others. Shoji grid pattern standard: 12" x 24" (300 mm x 600 mm). Standard Pyramids available in 27°, 33° & 45° slopes.

**May require box beam framing. Required for 15' (4572 mm) > 35 PSF (1676 Pa) Snow Load and 16' (4877 mm) > 25 PSF (1197 Pa) Snow Load

***1 @ 27°, 33° | 2 @ 45° & 2 @ 27°, 33° | 4 @ 45°

Please visit KALLWALL.COM for all standard skylight specifications, CAD details, BIM families & performance charts online

S-lines



S-line Skylight Features

- Shatterproof FRP face sheets
- Super-fast delivery options available
- OSHA compliant - man safe design
- Factory-sealed aluminum perimeter curb
- Can withstand Class A burning brand



Wisner-Pilger Public Schools | Wisner, NE
BVH Architecture

S-lines: 4' (1220 mm) wide flat-curb type unit skylights				S-lines: 5' (1524 mm) wide flat-curb type unit skylights					
Product #	Standard Unit Sizes 4' (1220 mm) O.C.D.			Product #	Standard Unit Sizes 5' (1524 mm) O.C.D.				
S-44-3A	4'-0"	(1220 mm)	X	4'-0"	(1220 mm)				
S-45-3A	4'-0"	(1220 mm)	X	5'-0"	(1524 mm)				
S-46-3A	4'-0"	(1220 mm)	X	6'-0"	(1829 mm)				
S-47-3A	4'-0"	(1220 mm)	X	7'-0"	(2134 mm)				
S-48-3A	4'-0"	(1220 mm)	X	8'-0"	(2438 mm)				
S-49-3A	4'-0"	(1220 mm)	X	9'-0"	(2743 mm)				
S-410-3A	4'-0"	(1220 mm)	X	10'-0"	(3048 mm)				
S-411-3A	4'-0"	(1220 mm)	X	11'-0"	(3353 mm)				
S-412-3A	4'-0"	(1220 mm)	X	12'-0"	(3658 mm)				
S-413-3A	4'-0"	(1220 mm)	X	13'-0"	(3962 mm)				
S-414-3A	4'-0"	(1220 mm)	X	14'-0"	(4267 mm)				
S-415-3A	4'-0"	(1220 mm)	X	15'-0"	(4572 mm)				
S-416-3A	4'-0"	(1220 mm)	X	16'-0"	(4877 mm)				
S-417-3A	4'-0"	(1220 mm)	X	17'-0"	(5182 mm)				
S-418-3A	4'-0"	(1220 mm)	X	18'-0"	(5486 mm)				
S-419-3A	4'-0"	(1220 mm)	X	19'-0"	(5791 mm)				
S-420-3A	4'-0"	(1220 mm)	X	20'-0"	(6096 mm)				
				S-55-3A	5'-0"	(1524 mm)	X	5'-0"	(1524 mm)
				S-56-3A	5'-0"	(1524 mm)	X	6'-0"	(1829 mm)
				S-57-3A	5'-0"	(1524 mm)	X	7'-0"	(2134 mm)
				S-58-3A	5'-0"	(1524 mm)	X	8'-0"	(2438 mm)
				S-59-3A	5'-0"	(1524 mm)	X	9'-0"	(2743 mm)
				S-510-3A	5'-0"	(1524 mm)	X	10'-0"	(3048 mm)
				S-511-3A	5'-0"	(1524 mm)	X	11'-0"	(3353 mm)
				S-512-3A	5'-0"	(1524 mm)	X	12'-0"	(3658 mm)
				S-513-3A	5'-0"	(1524 mm)	X	13'-0"	(3962 mm)
				S-514-3A	5'-0"	(1524 mm)	X	14'-0"	(4267 mm)
				S-515-3A	5'-0"	(1524 mm)	X	15'-0"	(4572 mm)
				S-516-3A	5'-0"	(1524 mm)	X	16'-0"	(4877 mm)
				S-517-3A	5'-0"	(1524 mm)	X	17'-0"	(5182 mm)
				S-518-3A	5'-0"	(1524 mm)	X	18'-0"	(5486 mm)
				S-519-3A	5'-0"	(1524 mm)	X	19'-0"	(5791 mm)
				S-520-3A	5'-0"	(1524 mm)	X	20'-0"	(6096 mm)

Note: All S-line skylights are available with 2-3/4" (70 mm) and 4" (100 mm) thick panels.

Designed for 40 PSF (1915 Pa) Snow Load. Shoji grid pattern standard: 12" x 24" (300 mm x 600 mm) - 4' (1220 mm) series | 12" x 20" (300 mm x 500 mm) - 5' (1524 mm) series. A minimum slope of 3/8":12" is required for all S-line skylights. Kalwall+Lumira aerogel is available in 2-3/4" (70 mm) thick panels only.

Not sure which standard skylight is best for you? Trying to determine the proper Visible Light Transmission (VLT) levels?

Please visit KALWALL.COM to request a complimentary Daylight Modeling analysis to optimize your daylighting design.



Kalwall Corporation is continually engaged in research to improve our products. Therefore, the material in this brochure is descriptive in nature and does not constitute a warranty, either express or implied. Please contact us for a copy of the warranty that is given with the sale of our products. Kalwall and Geo-Roof are registered trademarks and Museum-quality Daylighting is a trademark of the Kalwall Corporation. Lumira is a registered trademark of Cabot Corporation. 11 | 5 | 19 ©2019 Kalwall Corporation

